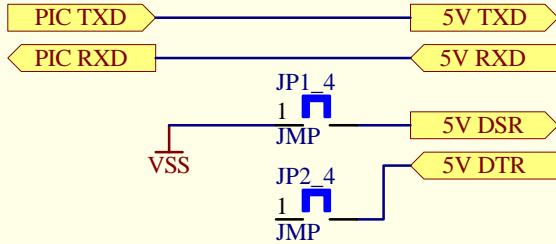


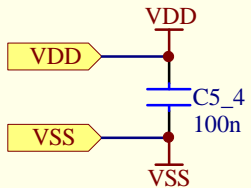
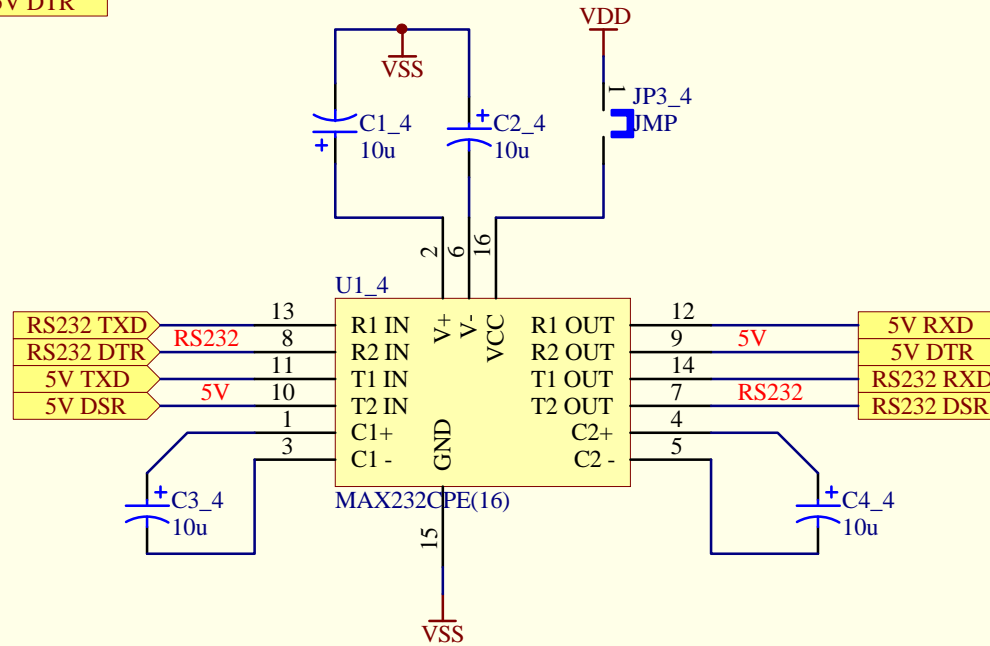
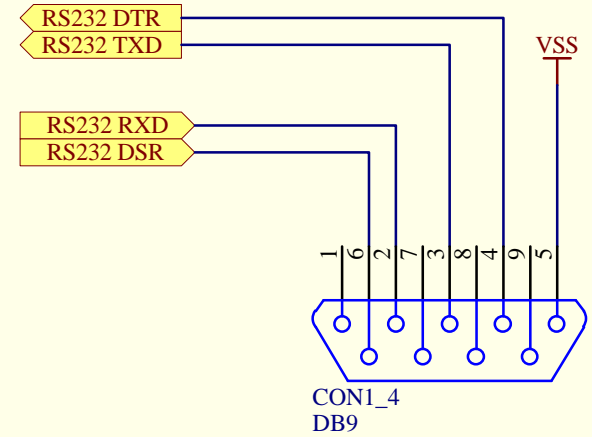
PIC16C74A

(Direction seen from controller)



RS232

(Direction seen from host)



Title		
RS232 Interface using MAX232		
Written by		Date
Peter Luethi		7-Oct-2003
Dietikon, Switzerland		Revision 1.00
		Page 4 of 5