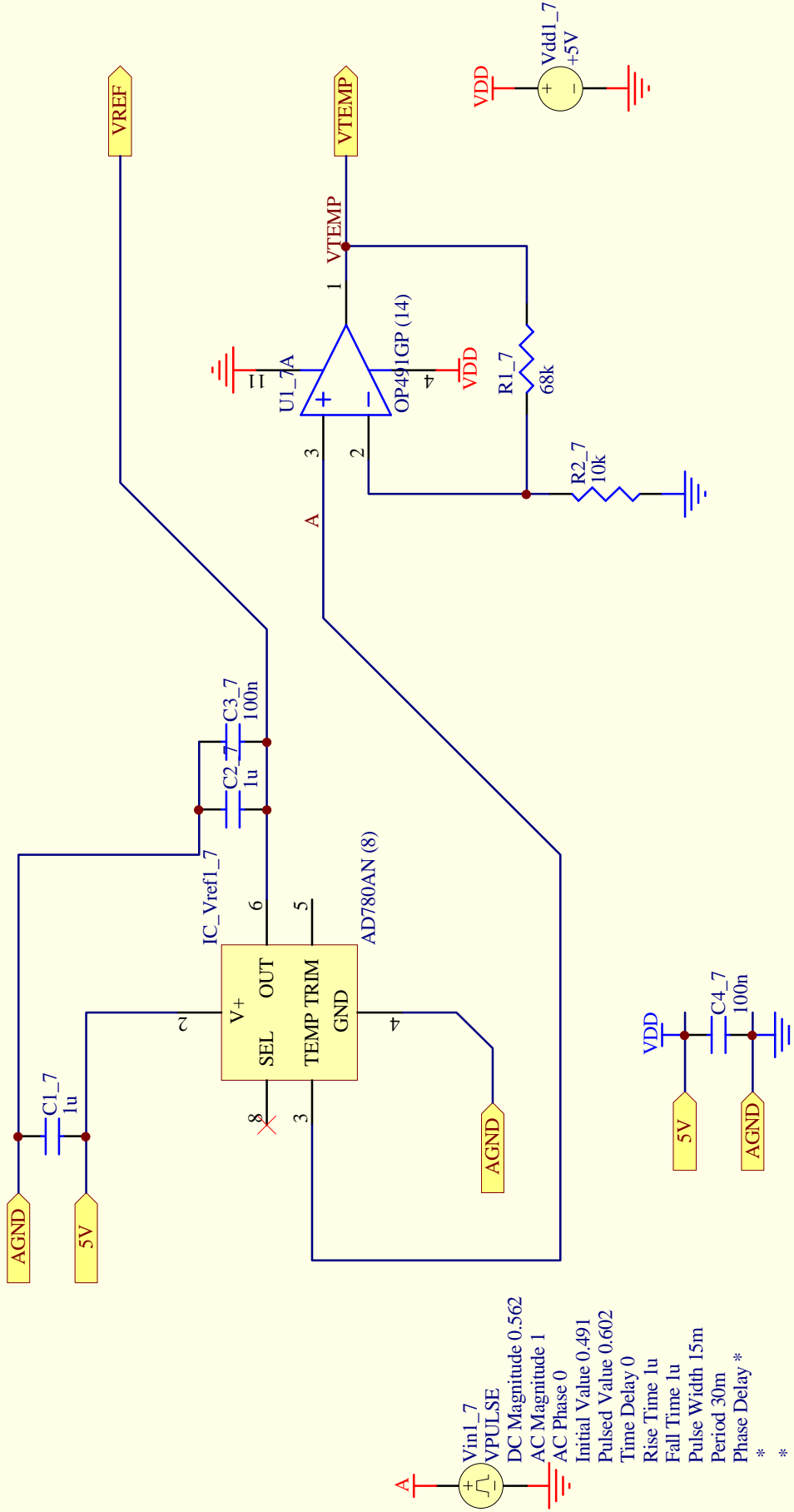


Range Adaption
A = 7.8



- Vin1_7
- VPULSE
- DC Magnitude 0.562
- AC Magnitude 1
- AC Phase 0
- Initial Value 0.491
- Pulsed Value 0.602
- Time Delay 0
- Rise Time 1u
- Fall Time 1u
- Pulse Width 15m
- Period 30m
- Phase Delay *
- *
- *
- *
- *
- *

Temperature & Voltage Reference

Date 12-Apr-2001

Rev 1.0 Page 7 of 16

Proj Low-Budget Inertial Navigation System
Peter Luethi, Thomas Moser - SS 2000 IFE

Eidgenössische
Technische Hochschule
Zürich