

Peter Jan Lüthi

VLSI Circuits for MIMO Preprocessing

Hartung-Gorre Verlag Konstanz
2010

Reprint of Diss. ETH No. 18777

SERIES IN MICROELECTRONICS

VOLUME 203

edited by Wolfgang Fichtner
Qiuting Huang
Heinz Jäckel
Gerhard Tröster
Bernd Witzigmann

Bibliographic information published by Die Deutsche Nationalbibliothek

Die Deutsche Nationalbibliothek lists this publication in the Deutsche Nationalbibliografie; detailed bibliographic data is available on the Internet at:
<http://dnb.d-nb.de>

Copyright © 2010 by Peter Jan Lüthi

First edition 2010

HARTUNG-GORRE VERLAG KONSTANZ
<http://www.hartung-gorre.de>

ISSN: 0936-5362

ISBN-10: 3-86628-295-8

ISBN-13: 978-3-86628-295-7

Abstract

Multiple-input multiple-output (MIMO) technology employs multiple antennas at both ends of the wireless link and constitutes one of today's most promising approaches to increase the throughput by exploiting the limited radio frequency resources in an unprecedentedly efficient way – without additional transmit power expenditure or increase in channel bandwidth. Combined with broadband modulation schemes such as orthogonal frequency-division multiplexing (OFDM), MIMO provides a powerful and attractive solution for high-throughput wireless home, office, and metropolitan area networks.

Unfortunately, the adoption of these modern wireless communication technologies significantly increases the signal processing complexity – most prominently at the receiver. Therefore, the practical realization of MIMO signal processing algorithms ultimately calls for dedicated very large scale integration (VLSI) circuits. However, even state-of-the-art process technologies for integrated circuits do not allow for implementation of mathematically optimal algorithms. Hence, we are urged to resort to suboptimal reduced-complexity solutions, which are still specifically optimized for their target application.

This work focuses on VLSI circuits for MIMO preprocessing, with a strong emphasis on sorted QR decomposition (SQRD). The thesis introduces several preprocessing algorithms and describes the quality metrics having been employed for subsequent algorithm optimizations for hardware implementation. Moreover, it shows the exploration of the fixed-point VLSI design space for various SQRD architectures including the assessment of finite-precision effects. The corresponding VLSI implementation results in UMC 0.18 μm 1P/6M CMOS technology provide reference figures for throughput and silicon complexity.

Zusammenfassung

Multiple-input multiple-output (MIMO) Technologie benutzt in drahtlosen Kommunikationssystemen sowohl sende- als auch empfangsseitig mehrere Antennen und stellt eine der vielversprechendsten Ansätze zur Steigerung des Datendurchsatzes auf enorm effiziente Art und Weise dar – und dies ohne Erhöhung der Sendeleistung oder Steigerung der Kanalbandbreite. In Kombination mit Breitband-Modulationsarten wie orthogonal frequency-division multiplexing (OFDM) bietet MIMO eine attraktive Lösung für drahtlose Hochleistungsnetzwerke im Heim- und Bürobereich, sowie in urbanen Umgebungen an.

Leider bringt der Einsatz dieser modernen Kommunikationstechnologien eine signifikante Komplexitätssteigerung der Signalverarbeitung mit sich – vornehmlich im Empfänger. Deshalb werden für die praktische Umsetzung der MIMO Signalverarbeitungsalgorithmen dedizierte integrierte Schaltungen benötigt. Doch auch die modernsten Prozesstechnologien erlauben es nicht, mathematisch optimale Algorithmen den Anforderungen entsprechend umzusetzen. So ist man gezwungen, sich auf suboptimale Lösungen zu fokussieren, welche aber trotzdem hinsichtlich ihres Einsatzbereichs gezielt optimiert werden.

Diese Arbeit behandelt integrierte Schaltungen für MIMO Signalvorverarbeitung, mit Fokus auf sortierter QR Zerlegung. Mehrere Algorithmen werden eingeführt und die Qualitätsmetriken beschrieben, welche für die nachfolgenden Optimierungen hinsichtlich der Schaltungsintegration verwendet wurden. Zusätzlich wird die Entwurfsraumexploration für verschiedene Architekturen aufgezeigt, mit Einbezug von Quantisierungseffekten aufgrund reduzierter numerischer Präzision. Die daraus entstandenen integrierten Schaltungen stellen Referenzgrößen für Durchsatz und Integrationskomplexität dar.

Contents

Abstract	iii
Zusammenfassung	v
1 Introduction	1
1.1 Key Technologies	2
1.1.1 MIMO	2
1.1.2 OFDM	5
1.1.3 Adoption to Standards	9
1.2 Motivation for this Work	11
1.2.1 Implementation Challenge of MIMO-OFDM	11
1.2.2 The Case for MIMO Preprocessing	12
1.2.3 Technology Choice	13
1.3 Contributions	14
1.4 Thesis Outline	16
2 Algorithms for MIMO Preprocessing	19
2.1 System Model	19
2.2 Performance Criteria	21
2.2.1 Simulation Methodology	22
2.2.2 Employed Quality Metrics	22
2.2.3 Channel Models	23
2.3 System-Level Overview	24
2.4 MIMO Processing	27
2.4.1 MIMO Preprocessing Schemes	27
2.4.2 MIMO Detection Schemes	31

2.4.3	BER Performance	38
2.5	MIMO Preprocessing Algorithms	41
2.5.1	SQRD based on Modified Gram-Schmidt	41
2.5.2	SQRD based on Givens Rotations	43
2.5.3	V-BLAST based on Square-Root Algorithm	45
3	Optimizations for Implementation	49
3.1	Algorithm Implementation Aspects	49
3.1.1	Number Format and Dynamic Range	49
3.1.2	Remarks on Complexity Metrics	51
3.1.3	Complexity Reduction Methods	52
3.2	Employed Concept	53
3.2.1	Fixed-Point Simulation Model	53
3.3	Building Blocks	54
3.3.1	Givens Rotation	54
3.3.2	The CORDIC Algorithm	55
3.3.3	Matrix Processing using Givens Rotations	63
3.4	MMSE-SQRD based on Gram-Schmidt	69
3.4.1	Fixed-Point Complexity	69
3.4.2	Fixed-Point Optimizations	70
3.4.3	Consolidated BER Performance	71
3.5	MMSE-SQRD based on Givens Rotations	75
3.5.1	Fixed-Point Complexity	75
3.5.2	Fixed-Point Optimizations	76
3.5.3	Consolidated BER Performance	79
3.6	V-BLAST based on Givens Rotations	81
3.6.1	Fixed-Point Complexity	81
3.6.2	Fixed-Point Optimizations	81
3.6.3	Consolidated BER Performance	85
3.7	Comparison and Discussion	88
3.7.1	Complexity and Performance Assessment	88
3.7.2	Fixed-Point SQRD Error Analysis	92
4	VLSI Architectures	99
4.1	Architectural Aspects	99
4.1.1	Classification of VLSI Architectures	100
4.1.2	Requirements for MIMO Preprocessing	101
4.1.3	Choice of Preprocessing Architecture	102

4.1.4	Guiding Principles	102
4.1.5	Granularity of Optimizations	105
4.2	CORDIC	106
4.2.1	Basic CORDIC Architecture	106
4.2.2	Partly Unrolled CORDIC Architecture	108
4.2.3	Enhanced CORDIC Architecture	109
4.3	MMSE-SQRD based on Gram-Schmidt	113
4.3.1	High-Throughput Architecture	113
4.3.2	Specific Aspects and Optimizations	113
4.3.3	Implementation Results	116
4.4	MMSE-SQRD based on Givens Rotations	119
4.4.1	High-Throughput Architecture	119
4.4.2	Specific Aspects and Optimizations	121
4.4.3	Implementation Results	124
4.4.4	Iteratively Decomposed Architecture	129
4.4.5	Implementation Results	131
4.5	Power Consumption	136
4.5.1	Device-Centric Power Analysis	136
4.5.2	Application-Centric Power Analysis	138
4.6	Comparison and Discussion	143
4.6.1	Comparison of Algorithm and Architecture	143
4.6.2	Comparison of Implementation Results	144
4.6.3	Comparison to other VLSI Implementations	145
5	Real-Time Testbed	149
5.1	Prototyping Platform	149
5.1.1	VAMP Board	149
5.1.2	BAT Board	150
5.1.3	WING Board	152
5.2	System Architecture	153
5.2.1	PHY and MAC Layer Architecture	153
5.2.2	Partitioning	156
5.3	Deployment of MMSE-SQRD ASIC	158
5.3.1	MIMO Preprocessing Architecture	158
5.3.2	Testbed Integration of the SQRD ASIC	161
5.4	System-Level Performance	167
5.4.1	MIMO Preprocessing Performance	167
5.4.2	MIMO Detection Performance	167

5.4.3	MAC Layer Performance	173
5.5	Concluding Remarks	175
6	Summary and Conclusions	177
A	Supplemental Information	185
A.1	Building Blocks	185
A.1.1	Linear & SIC Detection	185
A.1.2	CORDIC	189
A.2	QRD Operation Counts	191
A.2.1	QRD based on Gram-Schmidt	191
A.2.2	QRD based on Givens Rotations	194
A.3	Circuit Timing Figures	199
A.4	ASIC Pinout	200
A.5	PHY Layer Data Rates	201
A.5.1	Legacy WLAN PHY Layer Data Rates	201
A.5.2	IEEE 802.11n PHY Layer Data Rates	202
B	Notation and Acronyms	205
Symbols	205
Operators	206
Acronyms	207
	Bibliography	213
	Curriculum Vitae	221

Chapter 1

Introduction

The rapid evolution of wireless communication technologies, the worldwide efforts for standardization and interoperability, and the proliferation of corresponding affordable integrated circuits for mobile devices have made wireless communication so far a success story. During the last two decades, the opportunities of wireless communication not only established a multi-billion dollar market, which still exhibits ferocious growth potential, but have also led to a fast-paced technology penetration into virtually every electronic product. By using advanced process and manufacturing technologies, the development of highly integrated and cost-effective wireless communication chipsets became possible. The advances in circuit integration ultimately enabled the design of compact mobile electronic devices allowing for pervasive wireless connectivity. On the other hand, the formation of new standards for infrastructure networks prepared the grounds for ubiquitous mobile Internet access. While wireless local area networks (WLANs) seek to replace high-speed wired connections for home, office and public hot-spot environments, wireless metropolitan area networks (WMANs) focus on substitution of wired last-mile connections.

Today's latest mobile applications in conjunction with omnipresent multimedia content and the growing number of wireless users keep up the demand for ever increasing wireless data rates. At the same time, users are asking for improved coverage, regardless of being at crowded places or remote locations. Unfortunately, the scarce radio frequency

resources do not allow for meeting the insatiable throughput demands by simply allocating more channel bandwidth or by increasing transmit power. New concepts and key technologies need to be evolved in order to pave the way for satisfying the increasing demand for high-throughput wireless access solutions.

1.1 Key Technologies

New technologies for wireless communication have constantly been invented and evolved since the foundation of wireless data transmission through practical laboratory experiments in the 19th century by Heinrich R. Hertz and Nikola Tesla. In the following, two key technologies for present and future wireless communication are introduced and their basic operating principles are explained.

1.1.1 MIMO

In the late 1990s, it was discovered that wireless communication systems using multiple antennas at both transmitter and receiver gain significant advantages from multi-path propagation in a rich-scattering environment [1]. While conventional single-antenna communication systems, also known as single-input single-output (SISO), only rely on time and frequency as fundamental degrees of freedom¹, multi-antenna wireless communication technology, commonly referred to as multiple-input multiple-output (MIMO), additionally exploits the spatial dimension [2,3]. By making best use of this diversity in degrees of freedom, MIMO signaling techniques [4] for wireless communication allow for higher data rates, increase in range and coverage, and higher link reliability at the same overall transmit power expenditure and employed channel bandwidth. In other words, MIMO technology increases the spectral efficiency compared to conventional single-antenna systems by transmitting more data during the same time with similar expenses in bandwidth and transmit power. Thereby, the increase in channel capacity grows linearly with the minimum

¹For conventional SISO systems, coding can be considered as a virtual degree of freedom derived from time and frequency.

number of transmit and receive antennas – a fact that is reflected in throughput and spectral efficiency if properly exploited.

Principle of Operation

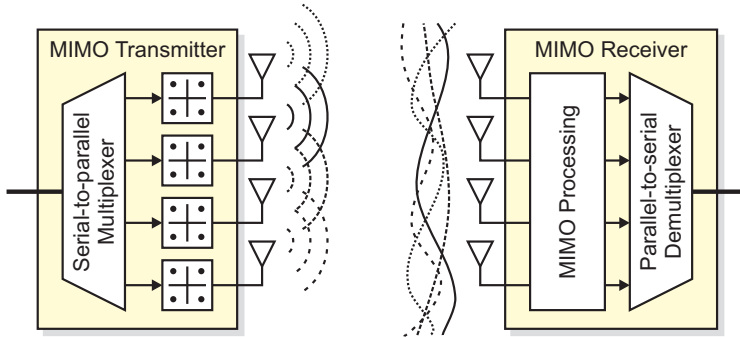


Figure 1.1: Operating principle of MIMO wireless communication.

As illustrated in Fig. 1.1, a high-rate data stream is split into several low-rate streams in the transmitter. After modulation, the individual low-rate streams are transmitted from multiple antennas simultaneously and in the same frequency band. At the receiver, a unique superposition of all transmitted streams is acquired from every receive antenna. After demodulation, the MIMO processing block performs the separation of the individual data streams from the superimposed receive signals. At the end, the recovered low-rate streams are recombined such as to form again a high-rate data stream.

For MIMO wireless communication systems, it is crucial that all antennas are decorrelated amongst each other, and hence, experience independent fading. On one hand, this can be achieved by ensuring to have a distance of at least half a wavelength between every antenna, or by applying antennas with different polarizations. On the other hand, one must seek to attain channel conditions that allow for multi-path propagation such that the signals picked up at the individual receive antennas exhibit unique spatial signatures and therefore render the separation of the individual data streams in the receiver possible.

Only the fruition of these important requirements allow MIMO technology to actually perform in practice and to deliver on its promises.

Gains of MIMO Technology

The prospects of MIMO technology reside in the variety of gains amenable for exploitation by applying appropriate signaling schemes and corresponding communication system architectures. In the following, a summary about the advantages of MIMO is given.

Array gain refers to the gain achieved by using multiple antennas in order to coherently combine individual receive signals from different antennas at the receiver. Array gain essentially improves the average receive signal-to-noise ratio (SNR) and mainly allows to extend the range of operation of communication devices. This technique can be applied to every device individually, irrespective of the number of antennas of the counterpart.

Diversity gain constitutes the gain achieved by taking advantage of multi-path propagation in order to mitigate fading. In other words, diversity gain accounts for the effects of spatio-temporal fluctuations of the receive signal by exploiting the diversity of signal propagation across multiple, independently fading paths. Effectively, diversity gain increases the stability of the receive signal and therefore improves link reliability and quality of service (QoS). For MIMO communication, diversity gain may be exploited in the spatial (antenna), temporal (time), or spectral (frequency) dimensions and can also be addressed jointly by employing appropriate space-time (ST) coding techniques [5].

Spatial multiplexing gain represents the gain that allows for a linear increase in data rate by transmitting multiple independent data streams concurrently and in the same frequency band. The linear increase is defined by the amount of parallel transmitted data streams and thereby limited by the minimum number of transmit and receive antennas.

For example, a simple scheme that primarily exploits diversity gain is antenna selection. This multi-antenna scheme chooses only the

Chapter 2

Algorithms for MIMO Preprocessing

The first part of this chapter introduces the system model and the simulation methodology combined with the quality metric for performance assessment. The second part provides an overview of several MIMO signal processing algorithms, with emphasis on MIMO preprocessing.

2.1 System Model

Applying OFDM as broadband modulation technique has an advantage which is of particular importance for the system model: The fundamental property of OFDM – to decompose a wide-band frequency-selective channel into several, closely spaced, orthogonal subcarriers experiencing frequency-flat fading – allows for breaking up the broadband system into a set of independent narrow-band MIMO systems. Each individual narrow-band MIMO system can then be modeled as depicted in Fig. 2.1.

Throughout this thesis, we consider a MIMO system with M_T transmit and M_R receive antennas, and we further assume $M_R \geq M_T$. The $M_R \times M_T$ -dimensional complex-valued matrix \mathbf{H} represents the

Chapter 3

Optimizations for Implementation

This chapter covers the different aspects of algorithm optimization for hardware implementation. It elaborates on fixed- and floating-point number formats and associated dynamic range aspects, and introduces building blocks for implementing Givens rotation in hardware. For each MIMO preprocessing algorithm, the specific optimizations are discussed and the associated impact on BER performance is shown.

3.1 Algorithm Implementation Aspects

The efficient implementation of algorithms in hardware requires to consider various algorithmic and implementation-specific aspects. In the following, the most important aspects for algorithm optimization with respect to subsequent implementation are discussed.

3.1.1 Number Format and Dynamic Range

The appropriate choice of the number format constitutes a very important aspect for algorithm implementation in hardware. The number representation not only determines the numeric precision and the dynamic range for the input values and the associated data path,

Chapter 4

VLSI Architectures

The previous chapter discussed the optimization efforts for algorithm implementation in fixed-point number format and showed the corresponding numeric precision requirements and fixed-point quantization settings. On the basis of these findings, this chapter continues the systematic exploration of the design space on architectural level to derive suitable VLSI architectures for MIMO preprocessing algorithms.

4.1 Architectural Aspects

The implementation of a given algorithm or functionality in hardware can be realized using different VLSI architectures and different target technologies. The decision for implementing a specific architecture is dependent on various constraints and limitations such as maximum circuit size, minimum throughput requirements, real-time constraints, power budget, availability of macro cells or intellectual property (IP) modules in the target technology, processing or memory resources to be shared, maximum number of I/O pads, interface protocols, or flexibility of functional adaptations for design re-use. In order to find the most appropriate hardware solution for a specific application, architectural transformations [51] are the key to explore the prospects and drawbacks for each architectural alternative. In the end, it is crucial to choose a VLSI architecture, which is in line with both,

Chapter 5

Real-Time Testbed

This chapter outlines the hardware components and the system architecture of a real-time 4×4 MIMO-OFDM testbed developed during a research project called multiple-access space-time coding testbed (MASCOT). The partitioning of the MIMO physical layer (PHY) on the hardware is shown and a brief overview of the medium access control (MAC) layer is given. The extensions for QRD-based MIMO preprocessing are described including the preprocessing architecture and the deployment of the MMSE-SQRD ASIC to the testbed.

5.1 Prototyping Platform

In the following, the individual hardware components of the modular prototyping platform for the real-time 4×4 MIMO-OFDM testbed are described. The entire testbed was initially built on three different boards, called VAMP, BAT, and WING, before being extended with an additional board carrying two MMSE-SQRD ASICs.

5.1.1 VAMP Board

The main component and the largest board of the prototyping platform is called Virtex-II Pro astonishing multi-purpose (VAMP) board and is depicted in Fig. 5.1. It has been developed during a master's

Chapter 6

Summary and Conclusions

Spurred by the rapid growth of the Internet, the evolution of new wireless communication technologies, and the global efforts for standardization, mobile communication has become a worldwide success story. The corresponding development and proliferation of affordable integrated circuits for wireless communication prepared the grounds for today's thriving markets in mobile information exchange. With respect to mobile networking, MIMO and OFDM have established themselves as key technologies for next-generation wireless broadband communications. This thesis has focused on the VLSI implementation of selected MIMO preprocessing algorithms, which are mandatory for wireless communication systems comprised of more advanced detection schemes, such as SIC detection or tree-search-based variants achieving ML or near-ML error rate performance. Although MIMO preprocessing represents only a small spot in the vast design space for wireless communication, this thesis intends to provide a few answers concerning the practical implementation of future broadband communication systems based on MIMO and OFDM.

Appendix A

Supplemental Information

A.1 Building Blocks

A.1.1 Linear & SIC Detection

Linear and SIC detection based on direct matrix inversion (DMI) for multiple data streams are illustrated as conceptual block diagrams (which may serve as a basis for implementation) in Fig. A.1 on the left and right side, respectively. While the linear variant only employs a combined equalization and slicing stage, the SIC variant additionally requires a back-substitution and cancellation stage. The input signals for the MIMO detection blocks depicted in Fig. A.1 are estimator matrix \mathbf{G} , channel matrix \mathbf{H} , and received symbol vector \mathbf{y} . The estimated receive symbol vector after slicing is represented by $\hat{\mathbf{s}}$ and constitutes the detection result before demapping to binary-valued data. In general, the block-internal iterator is represented by variable j , which is used for computing a single entry \hat{s}_i with $i = 1, 2, \dots, M_T$ of symbol vector estimate $\hat{\mathbf{s}}$.

As already indicated by the block diagrams in Fig. A.1, DMI-based linear MIMO detection allows for a parallel implementation of equalization and slicing for individual data streams. On the other hand,

Appendix B

Notation and Acronyms

Symbols

M_T	number of transmit antennas
M_R	number of receive antennas
\mathbf{H}	$M_R \times M_T$ -dimensional MIMO channel matrix
$\bar{\mathbf{H}}$	$(M_R + M_T) \times M_T$ -dimensional augmented MIMO channel matrix
\mathbf{Q}	$M_R \times M_T$ -dimensional unitary matrix
\mathbf{R}	$M_T \times M_T$ -dimensional upper-right triangular matrix
\mathbf{P}, \mathbf{M}	$M_T \times M_T$ -dimensional permutation matrix
$\mathbf{P}^{1/2}$	$M_T \times M_T$ -dimensional square-root matrix
\mathbf{U}	$M_R \times M_T$ -dimensional real-valued matrix
\mathbf{W}	matrix containing weight vectors
\mathbf{Z}	composite matrix, also called pre-array
\mathbf{I}_n	n -dimensional identity matrix
\mathbf{s}	M_T -dimensional transmitted MIMO symbol vector
$\hat{\mathbf{s}}$	estimate of the transmitted MIMO symbol vector
\mathbf{n}	M_R -dimensional additive white Gaussian noise vector
\mathbf{y}	M_R -dimensional received MIMO symbol vector
$\hat{\mathbf{y}}$	received MIMO symbol vector \mathbf{y} pre-multiplied with \mathbf{Q}^H

Bibliography

- [1] G. J. Foschini, “Layered space-time architecture for wireless communication in a fading environment when using multi-element antennas,” *Bell Laboratories Technical Journal*, vol. 1, no. 2, pp. 41–59, 1996.
- [2] G. J. Foschini and M. J. Gans, “On limits of wireless communications in a fading environment when using multiple antennas,” *Wireless Personal Communications*, vol. 6, no. 3, pp. 311–334, 1998.
- [3] D. Tse and P. Viswanath, *Fundamentals of Wireless Communication*. Cambridge University Press, 2005.
- [4] A. J. Paulraj, R. U. Nabar, and D. A. Gore, *Introduction to Space-Time Wireless Communications*. Cambridge University Press, 2003.
- [5] E. Larsson and P. Stoica, *Space-Time Block Coding for Wireless Communications*. Cambridge University Press, 2003.
- [6] J. Proakis, *Digital Communications*, 5th ed. McGraw-Hill, 2007.
- [7] R. W. Chang, “Synthesis of band-limited orthogonal signals for multi-channel data transmission,” *Bell Systems Technical Journal*, vol. 45, pp. 1775–1785, 1966.
- [8] S. B. Weinstein and P. M. Ebert, “Data transmission by frequency-division multiplexing using the discrete fourier transform,” *IEEE Trans. on Communications Technology*, vol. 19, no. 5, pp. 628–634, 1971.